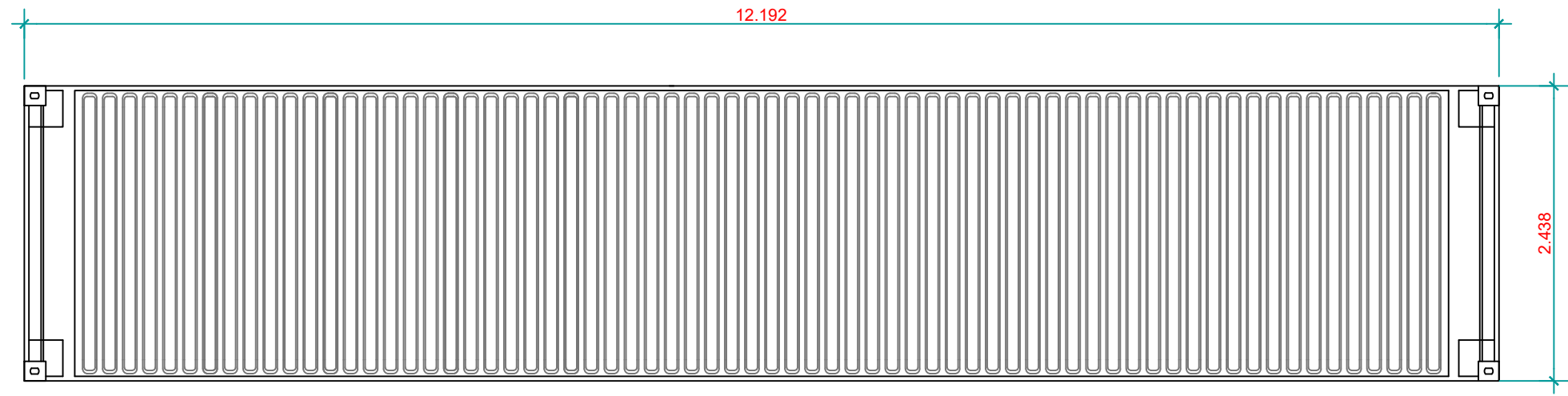
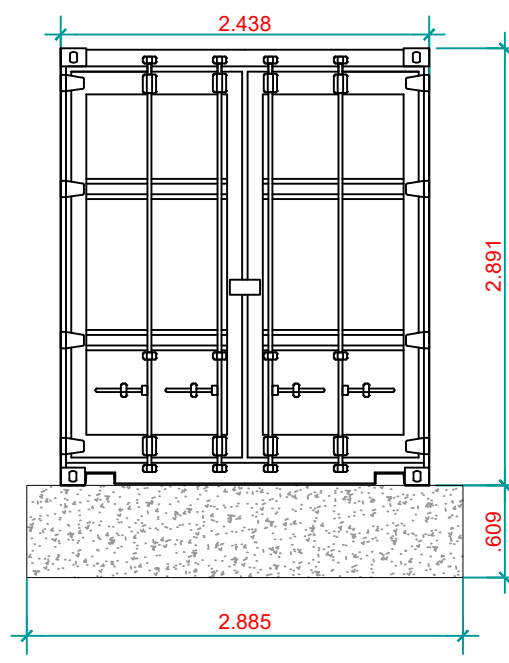


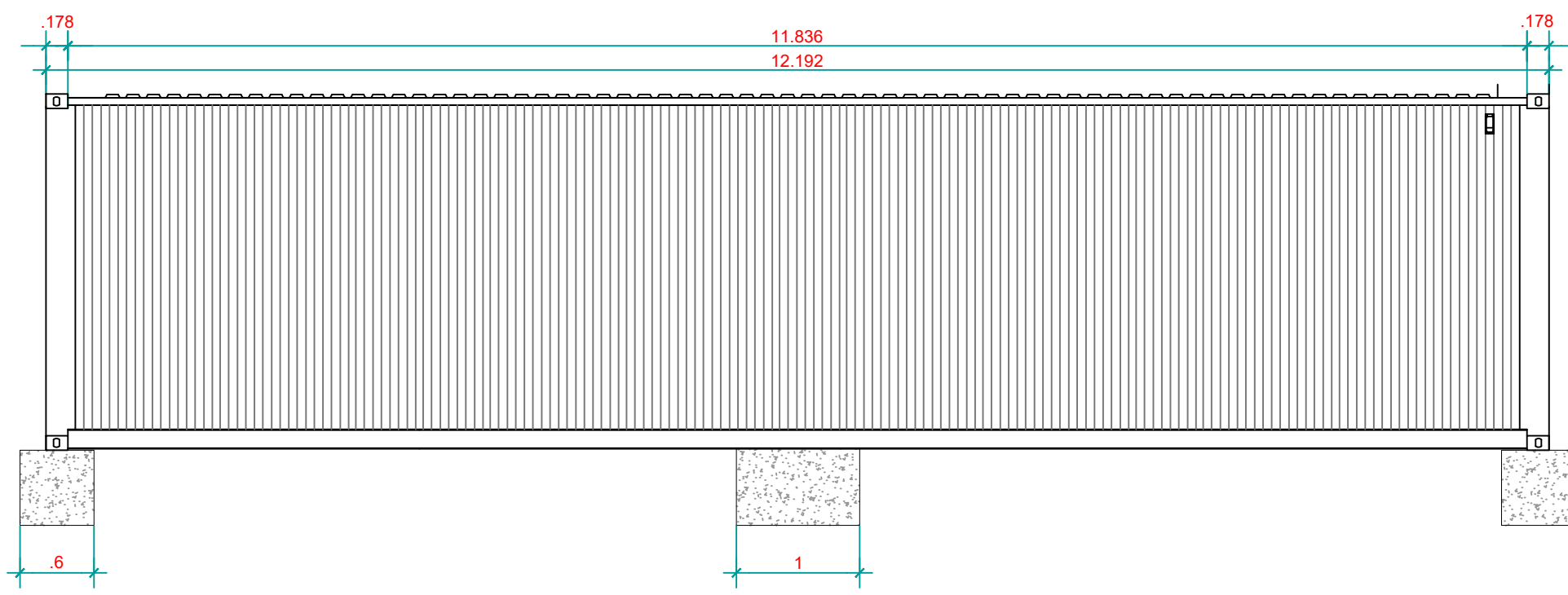
Rear Elevation



Roof Plan



Front Elevation



Side Elevation

GENERAL NOTES

1) ALL DIMENSIONS ARE IN METERS UNLESS SPECIFIED.

LEGEND

REFERENCE DRAWINGS

No.	DRAWING TITLE	DRAWING No.	
R	DATE	DESCRIPTION OF REVISION	REMARKS

PROJECT NAME :
**HILFIELD
 SOLAR PV AND BATTERY**

OWNER'S ENGINEER :

GENERAL CONTRACTOR :

blueleaf energy 80 Anson Road, #09-01,
 Fujif Xerox Towers, Singapore 079907.
 TEL: +65 6849 5540, FAX: +65 6849 5559.
 www.blueleafenergy.com

THIS DRAWING IS PROPERTY OF BLUELEAF ENERGY AND MAY NOT BE COPIED (IN WHOLE OR IN PART) USED FOR MANUFACTURING OR DISCLOSED WITHOUT PRIOR CONSENT OF BLUELEAF ENERGY ASIA.

DRAWN BY : CMJ/S
 DATE : 26-10-2022
 CHECKED BY :
 DATE :
 APPROVED BY :
 DATE :
 DRAWING No.: HF12.0

SHEET SIZE	SHEET	SCALE	REV
A3	1 OF 1	1:50	03

